

Coffee Machine

HD8854 / HD8856

Service
Service
Service



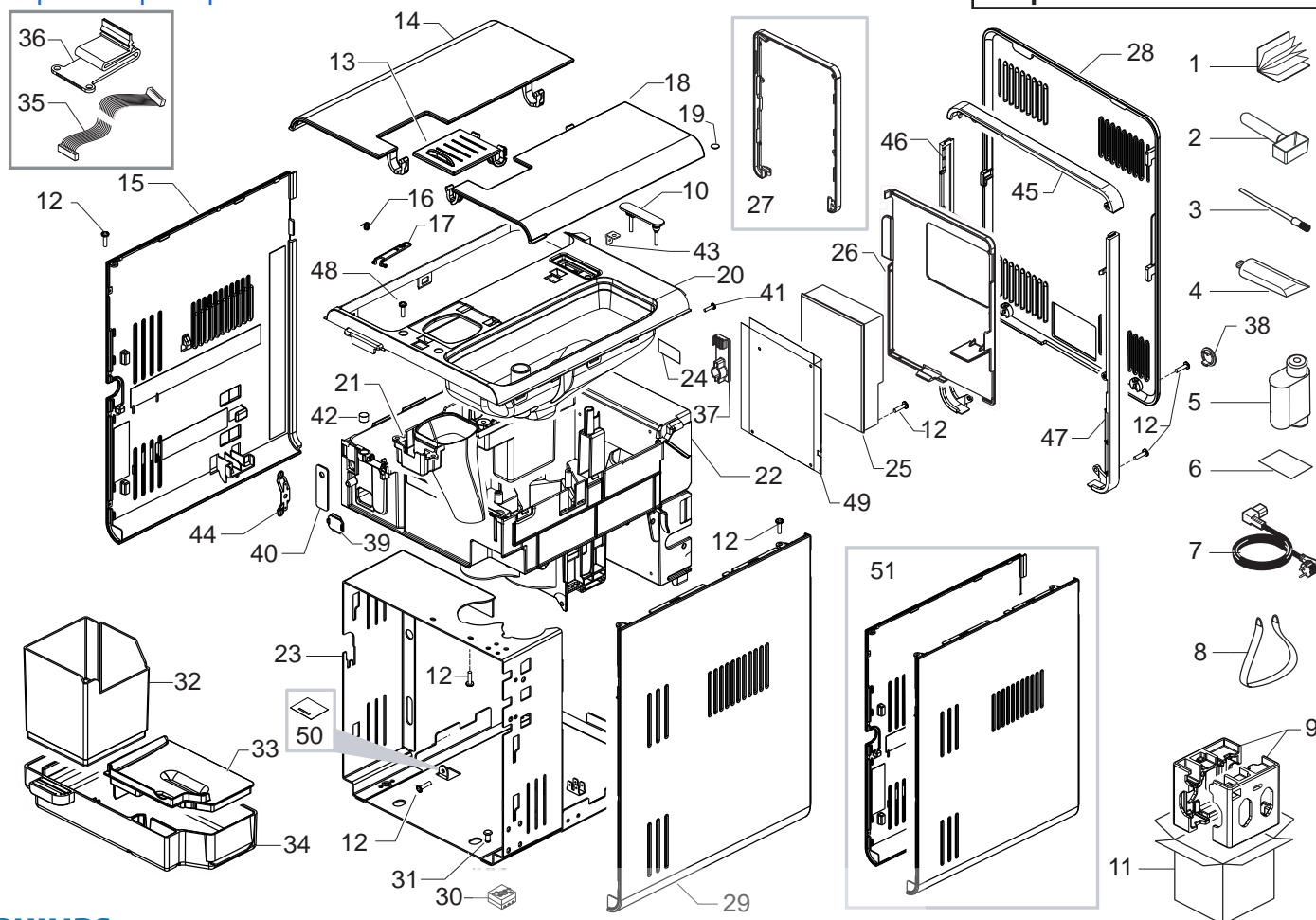
Exploded View

Contents

Table

External / Electronical components	1/8
Front panel / User interface	2/8
Coffee dispenser	3/8
Water container	4/8
Milk carafe	5/8
Water system with slim boiler	6/8
Coffee grinder assembly	7/6
Gear motor / Brewing unit	8/8

All rights reserved. No part of this publication may be reproduced, stored in a retrieval system or transmitted, in any form or by any means, electronic, mechanical, photocopying, or otherwise without the prior permission of Saeco.



PHILIPS

Saeco

HD8854/01-02-03-09-14-15-16

HD8856/01-02-03-04-05-06-08-09-41-43-47



Cod.10003286-87-3521-22-23-24-25-26-78-79

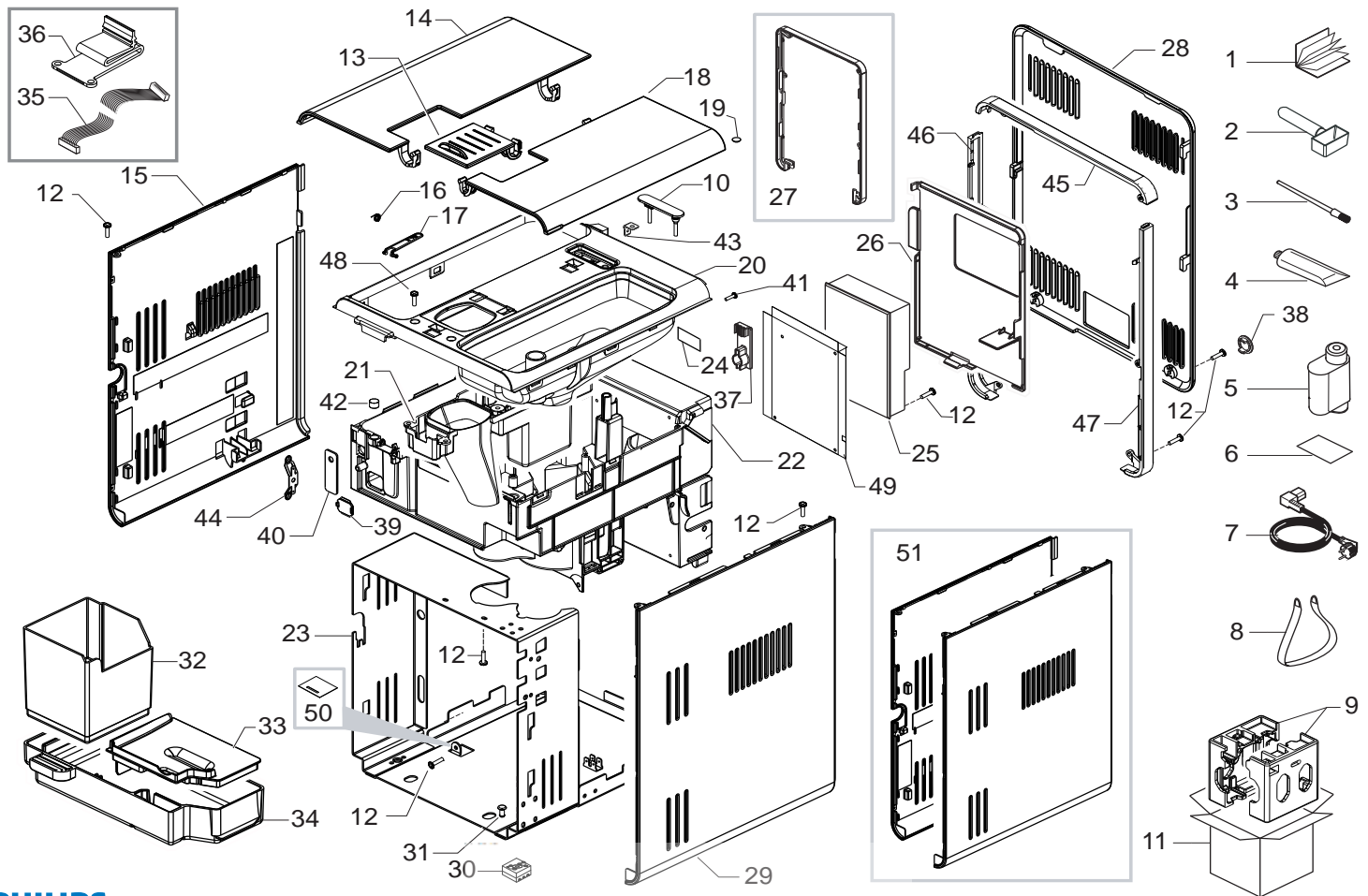
Cod.10003738-39-60-61-3808-78-4089-90

POS	CODE	DESCRIPTION	NOTE
01	15001997	MANUAL PSA HD8854/HD8856 MDS IT	
	15001998	MANUAL PSA HD8854/HD8856 MDS DE	
	15001999	MANUAL PSA HD8854/HD8856 MDS GB	
	15002047	MANUAL PSA HD8854/HD8856 MDS FR	
	15002330	MANUAL PSA HD8854/HD8856 MDS ES	
	15002331	MANUAL PSA HD8854/HD8856 MDS PT	
	15002332	MANUAL PSA HD8854/HD8856 MDS NL	
	15002333	MANUAL PSA HD8854/HD8856 MDS SV	
	15002334	MANUAL PSA HD8854/HD8856 MDS NO	
	15002335	MANUAL PSA HD8854/HD8856 MDS FI	
	15002336	MANUAL PSA HD8854/HD8856 MDS DA	
	15002337	MANUAL PSA HD8854/HD8856 MDS GR	
	15002338	MANUAL PSA HD8854/HD8856 MDS PL	
	15002339	MANUAL PSA HD8854/HD8856 MDS RU	
	15002340	MANUAL PSA HD8854/HD8856 MDS UA	
	15002341	MANUAL PSA HD8854/HD8856 MDS HU	
	15002342	MANUAL PSA HD8854/HD8856 MDS CS	
	15002343	MANUAL PSA HD8854/HD8856 MDS SK	
	15002344	MANUAL PSA HD8854/HD8856 MDS RO	
	15002345	MANUAL PSA HD8854/HD8856 MDS BG	
	15002346	MANUAL PSA HD8854/HD8856 MDS CR	
	15002347	MANUAL PSA HD8854/HD8856 MDS SL	
	15002348	MANUAL PSA HD8854/HD8856 MDS SR	
	15002582	MANUAL PSA HD8854/HD8856 MDS CHN	
	15002584	MANUAL PSA HD8854/HD8856 MDS KOR	
	15002585	MANUAL PSA HD8854/HD8856 MDS TWN	
	15003143	MANUAL PSA HD8854/HD8856 MDS PT/BRA	
02	146680850	BLACK COFFEE MEASURE SMART	
03	127390100	BRUSH FOR CLEANING	
04	11028379	PSA KLUBER TRIBOSTAR SIL 2 TUBE 5GR.	
05	21001404	ACC SAE BRITA UNI.WAT.FILTERX1 EUR-ASIA	
06	0301.961	STICKER FOR WATER HARDNESS TEST	
07	183911050	BLACK POWER CABLE SCHUKO L=1200MM	
	183940650	BLACK POWER CABLE AUSTRALIA L=1200	
	11004247	BLACK POWER CABLE RVV 3X1 CHINA L=1200MM	
	183930650	POWER CABL.CH BLACK 3X1 H05VV-F L=1200	
	11001985	BLACK POWER CABLE KOREA 3X1 L=1200	
	183970350	BLK POWER CABLE 3X1 H05VV-F UK L=1200MM	
	11004246	BLACK POWER CABLE TAIWAN HVCTF L=1200	
	183921950	POWER CABLE SJT3 USA BLACK UL L=1200	
	17800330	BLACK POWER CABLE BRAZIL L=1200	
	17800019	BLACK POWER CABLE BRAZIL L=1200	

POS	CODE	DESCRIPTION	NOTE
08	13001097	BAND FOR LIFTING L=1800 H=300 MM MYB9	
09	20006892	KIT PS-E INSERT FOR BOX MDS	
10	17000111	BLACK COVER CONDUCTING SEAL MDS	
11	13001130	DISPLAY BOX MDS PSA EXPRELIA WE	
	13001252	DISPLAY BOX MDS PSA EXPRELIA CEE	
	13001358	DISPLAY BOX MDS PSA EXPRELIA USA	
12	12000450	SCREW TCBR TORX 10 3,5X12 PLAST.ZN-N	
13	17000399	SB/SS GROUND CONT.DOOR COVER MDS/H ASSY. UP TO S/N TU901208034135	
	11026338	SB/SS GROUND CONT.DOOR COVER MDS/H ASS FROM S/N TU901208034136	
	11024933	BLACK GROUND CONTAINER DOOR S/SCR.MDS/P	
14	17000398	SB/SS WATER CONT.DOOR COVER MDS/H ASSY. UP TO S/N TU901208034135	
	11026339	SB/SS WATER CONT.DOOR COVER MDS/H ASSY. FROM S/N TU901208034136	
	11023040	BLACK WATER CONTAINER DOOR MDS/P	
15	11028990	SB/SS LEFT SIDE PANEL V2 MDS/H ASSY. FROM S/N TU901208034136	
	11022955	BLACK LEFT SIDE PANEL MDS/P	
	17000804	SB/SS LEFT SIDE PANEL W/FAST.MDS/H ASSY. UP TO S/N TU901208034135	ONLY USA
	11028929	SB/SS LEFT SIDE PANEL W/FAST.MDS/H ASSY. FROM TO S/N TU901208034136	ONLY USA
16	11023035	SS SPRING FOR WATER CONTAINER LEVER MDS	
17	11022425	YELLOW LEVER FOR WATER CONTAIN.S/SC.MYB9	
18	17000400	SB/SS BEAN CONTAIN.DOOR COVER MDS/H ASSY UP TO S/N TU901208034135	
	11026340	SB/SS BEAN CONTAIN.DOOR COVER MDS/H ASS FROM TO S/N TU901208034136	
	11023046	BLACK BEAN CONTAINER DOOR MDS/P	
19	12001330	TRANSP.ROUND ADHESIVE FOOT SJ-5382	
20	17000113	BLACK COVER CASING V2 MDS	
21	11022950	BLACK GROUND COFFEE HOPPER PLATE MDS	
22	11023060	BLACK HORIZONTAL MOUNTING PLATE MDS	
23	11022938	BLACK STEEL CASING MDS ASSY.	
24	11000651	WATER LEVEL SENSOR BOARD P124	
25	11024263	PWR BOARD MDS	230V
	11021342	PWR BOARD MYB9/MDS 120V	120V
26	11023061	BLACK PWR BOARD COVER MDS	

PSA EXPRELIA

TABLE 1a/8



PHILIPS

Saeco

HD8854/01-02-03-09-14-15-16

HD8856/01-02-03-04-05-06-08-09-41-43-47

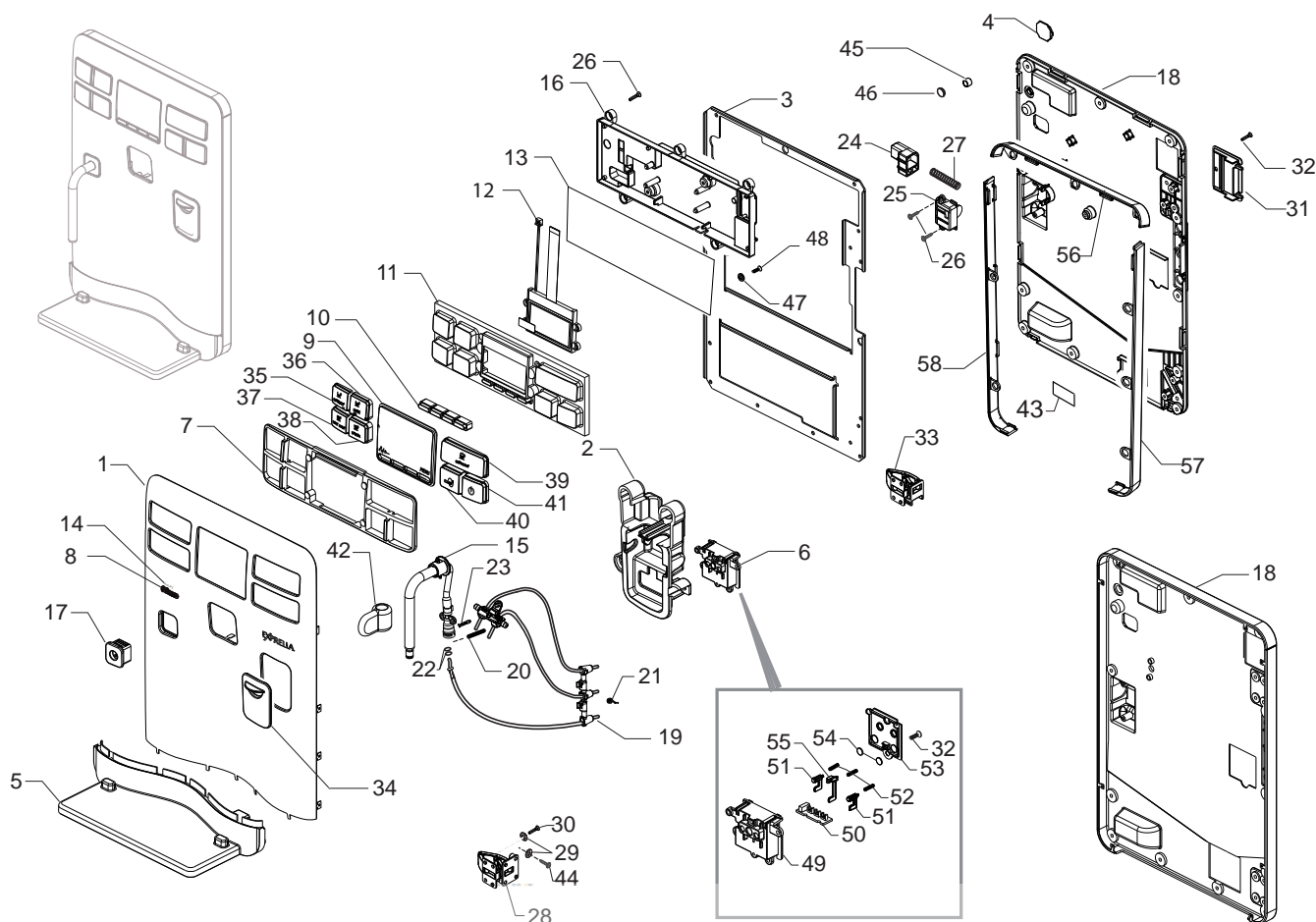


Cod.10003286-87-3521-22-23-24-25-26-78-79

Cod.10003738-39-60-61-3808-78-4089-90

POS	CODE	DESCRIPTION	NOTE
27	11022984	BLK/SB-SS REAR FRAME MDS ASSY. UP TO S/N TU901210043090	
	11025064	BLK/BLK REAR FRAME MDS ASSY. UP TO S/N TU901128094834	
28	11022956	BLACK REAR PANEL WHIT LOGO SAECO MDS	
29	11028928	SB/SS RIGHT SIDE PANEL V2 MDS/H ASSY. FROM S/N TU901208034136 UP TO TU901208034135 SEE POSITION 51	
	11022954	BLACK RIGHT SIDE PANEL MDS/P	
	17000806	SB/SS RIGHT SIDE PANEL W/FAST.MDS/H ASSY UP TO S/N TU901208034135	ONLY USA
	11028927	SB/SS RIGHT SIDE PANEL W/FAST.MDS/H ASSY FROM S/N TU901208034136	ONLY USA
30	11021829	BLACK/TRANSP.RIGID FOOT MYB9	
31	11021769	BLACK RIGID FOOT FIXING PIN MYB9	
32	11023034	BLACK DUMP BOX MDS ASSY.	
33	11023032	BLK DRIP TRAY COFF.BREW UNIT COVER MDS	
34	11023031	BLACK DRIP TRAY COFFEE BREW UNIT MDS	
35	11023166	40POLES FLAT CABLE BOARDS LINK MDS UL	
36	11013806	BLACK FLAT-CABLE PROTECTION MYB9	
37	17000064	BLACK CAPACITIVE SENSOR INSERT XSM	
38	11022971	BLACK SCREW HOLE COVER CAP MDS	
39	17000363	TRANSPARENT INFRAREDS PLATE MDS	
40	11021976	GALV.PLATE FOR DOOR CLOSURE MYB9	
41	129913202	SCREW TCB TORX 10 3X8 PLAST.ZN-B	
42	9161.111	MAGNET FOR FLOAT SUPERAUTOM.	
43	186401220	BENT TABS 6,3 D=3,3 <=90° 4001851000	
44	11006740	BRONZE SPRING FOR FRONT CASING G0053	
45	17001087	BLACK.UPPER REAR FRAME INSERT MDS FROM S/N.TU901128094835	
	11025802	CHROM.UPPER REAR FRAME INSERT MDS FROM S/N TU901210043091	
46	17001088	BLACK.LEFT LATERAL REAR FRAME INSERT MDS FROM S/N.TU901128094835	
	11025804	CHROM.LEFT LATERAL REAR FRAME INS.MDS FROM S/N TU901210043091	
47	17001089	BLK RIGHT LATERAL REAR FRAME INSERT MDS FROM S/N.TU901128094835	
	11025803	CHROM.RIGHT LATERAL REAR FRAME INS.MDS FROM S/N TU901210043091	
48	129914002	SCREW TCB TORX 10 3,5X16 PLAST.ZN-B	
49	11023304	PWR ELECTR.BOARD INSULATE SHEET MYB9	ONLY USA
50	17000007	COMPONENTS SUPPORT INSULATE SHEET MYB9	ONLY USA

POS	CODE	DESCRIPTION	NOTE
51	20007080	KIT SPARES SB/SS RIGHT+LEFT PANEL MDS/H UP TO S/N TU901208034135	



PHILIPS

Saeco

HD8854/01-02-03-09-14-15-16

HD8856/01-02-03-04-05-06-08-09-41-43-47

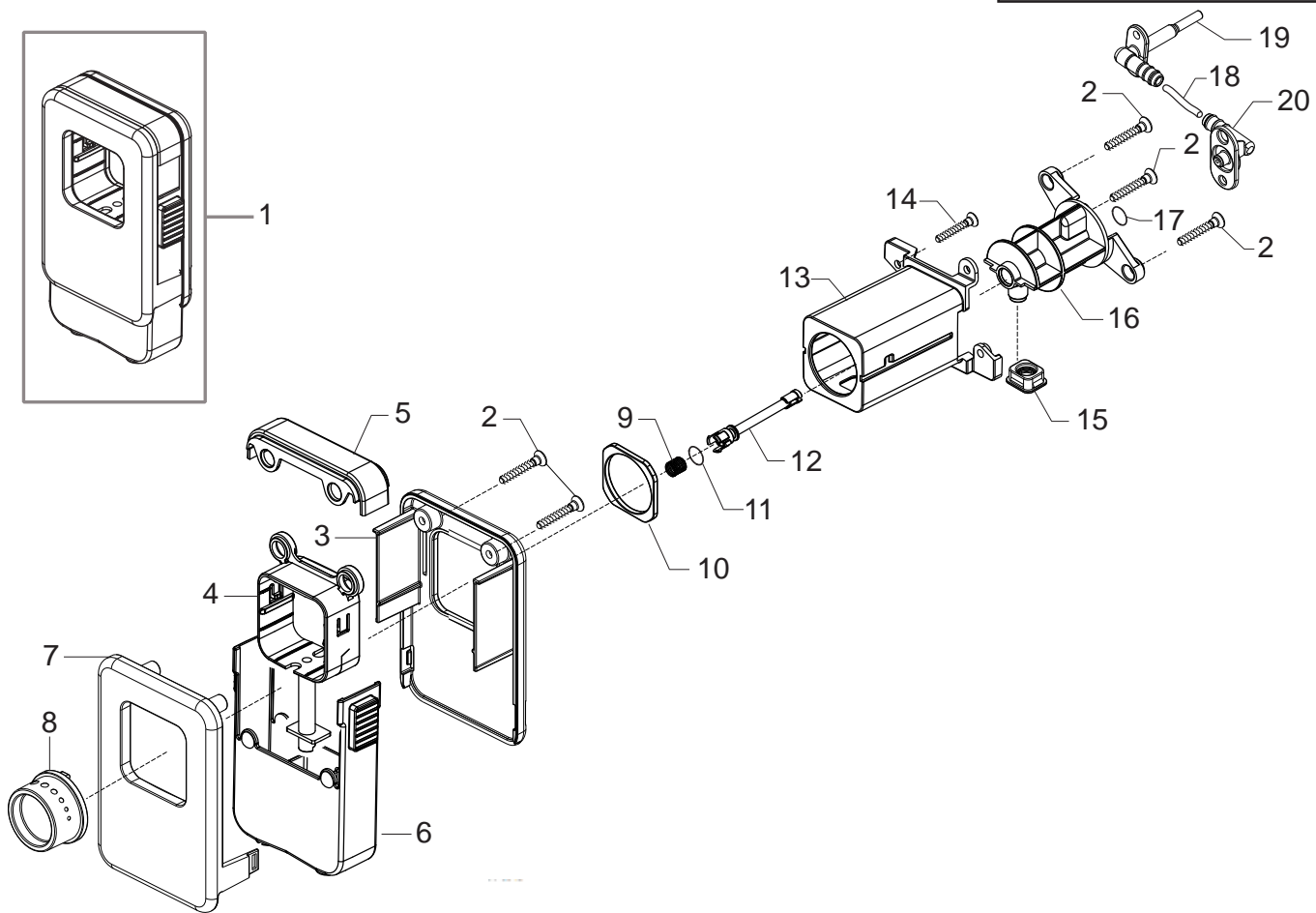


Cod.10003286-87-3521-22-23-24-25-26-78-79

Cod.10003738-39-60-61-3808-78-4089-90

POS	CODE	DESCRIPTION	NOTE
01	11026136	SB/SS FRONTAL PANEL V2 S/SCR.MDS ASSY. UP TO S/N TU901208034135	
	11029322	SB/SS FRONTAL PANEL V3 S/SCR.MDS ASSY. FROM S/N TU901208034136	
	11025135	SB/SS FRONTAL PANEL V2 MDS ASSY. UP TO S/N TU901208034135	ONLY USA
	11026334	SB/SS FRONTAL PANEL V2 MDS ASSY. FROM S/N TU901208034136	ONLY USA
02	11023433	BLACK FRONTAL PANEL INSERT MDS	
03	11022981	STEEL FRONT FRAME MDS	
04	17000363	TRANSPARENT INFRAREDS PLATE MDS	
05	11029324	BLACK DRIP TRAY SUPPORT V2 MDS	
06	11022986	BLK CARAFFE BOARD SUPPORT GEN.MDS ASSY.	
07	11023913	CHROM.TOUCH PANEL SUPPORT MDS UP TO S/N TU901126079436	
	11025809	CHROM.TOUCH PANEL SUPPORT MDS ASSY. FROM S/N TU9011260779347	
08	11011406	ADHES.SILVER PLATE LOGO SAECO P0057	
09	17000989	TRANSP.GLASS FOR DISPLAY S/SCR.MDS	
10	17000325	BLK DISPLAY FUNC.BUTTONS COVER S/SCR.MDS	
11	11023018	TRANSP.TOUCH PANEL MDS	
12	12001490	GRAPHIC DISPLAY 128 X 64 MDS	
13	11022396	CPU+SW MBM	
14	11024301	ADHES.SILVER PLATE LOGO PHILIPS	
15	11023819	TF/CHROM.STEAM TUBE MDS ASSY.	
16	11022983	BLACK DISPLAY SUPPORT MDS	
17	11023021	CHROM.EXTERNAL STEAM TUBE INSERT MDS	
18	11022985	BLK/SB-SS INSIDE COVER FRON.PANEL MDS AS UP TO S/N TU901210043090	
	17001093	BLK INSIDE COVER FRONT PANEL V2 MDS FROM S/N TU901210043091	
19	17000062	WHT PREFORM.TEFLON TUBES SUPP.MDS ASSY.	
20	17000006	TWO WAY TEFLON TUBES SUPPORT SPRING MYB9	
21	11013785	TEFLON TUBES SUPPORT SPRING MYB9	
22	140328059	OR 2015 IN SILICONE PTFE/FDA	
23	9011.144	SS FORK FOR TUBE D.4	
24	11014215	BLACK BUTTON FOR DOOR RELEASE MYB9	
25	11014218	BLACK COVER BUTTON FOR DOOR RELEASE MYB9	
26	12000450	SCREW TCB TORX 10 3,5X12 PLAST.ZN-N	

POS	CODE	DESCRIPTION	NOTE
27	11021747	SPRING FOR DOOR RELEASE BUTTON MYB9	
28	17000094	DOOR LOWER HINGE V2 MYB9	
29	128310402	WASHER UNI 8842 A4 ZINCATA	
30	12001591	GALV.SCREW TCB 4,2X13 DIN 7985 F	
31	17000048	BLACK FLAT-CABLE COVER MDS	
32	12000895	SCREW TSP 3x10 INOX	
33	17000106	DOOR UPPER HINGE V2 MYB9	
34	11023368	CHROM.CONNECT.CAP FOR CARAFE MDS ASSY.	
35	17000549	BLACK ESPRESSO BUTTON S/SCR.MDS	
36	17000550	BLACK COFFEE BUTTON S/SCR.MDS	
37	17000551	BLACK LONG COFFEE BUTTON S/SCR.MDS	
38	17000552	BLACK SPECIAL BUTTON S/SCR.MDS	
39	17000553	BLACK CAPPUCCINO BUTTON S/SCR.MDS	
40	17000554	BLACK CLEAN BUTTON S/SCR.MDS	
41	17000591	BLACK STAND-BY BUTTON S/SCR.MDS	
42	17000110	BLACK STEAM TUBE HANDGRIP MDS	
43	11000651	WATER LEVEL SENSOR BOARD P124	
44	129823821	TCB SCREW M4X8 UNI 7687 SS	
45	9161.111	MAGNET FOR FLOAT SUPERAUTOM.	
46	11014016	SS.INSERT FOR MAGNET MYB9	
47	128310321	WASHER UNI 8842 A3 INOX	
48	129912902	SCREW TCB TORX 10 2,9X6,5 SHEET ZN-B	
49	11023238	BLACK CARAFFE BOARD COVER MYB9	
50	11013368	MILKCARAFFE BOARD V2 MYB9	
51	17000002	BLACK CARAFE MICRO INSERT V2 MYB9	
52	17000019	SS CARAFE MICRO INSERT SPRING MYB9	
53	11013328	BLACK CARAFFE BOARD COVER MYB9	
54	12001330	TRANSP.ROUND ADHESIVE FOOT SJ-5382	
55	17000045	BLK PRESENCE CARAFE MICRO INSERT V2 MYB9	
56	11025799	CHROM.UPPER FRONT FRAME INSERT MDS FROM S/N TU901210043091	
57	11025800	CHROM.RIGHT LATERAL FRONT FRAME INS.MDS FROM S/N TU901210043091	
58	11025801	CHROM.LEFT LATERAL FRONT FRAME INS.MDS FROM S/N TU901210043091	



PHILIPS

Saeco

HD8854/01-02-03-09-14-15-16

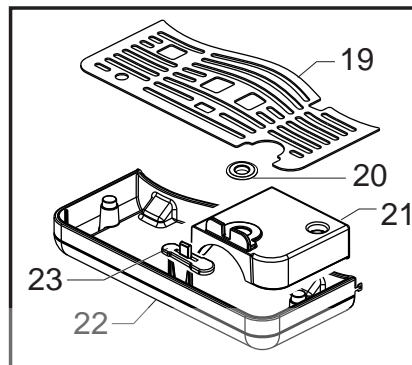
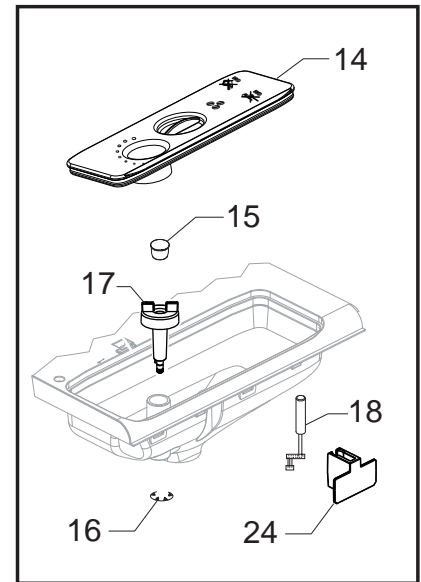
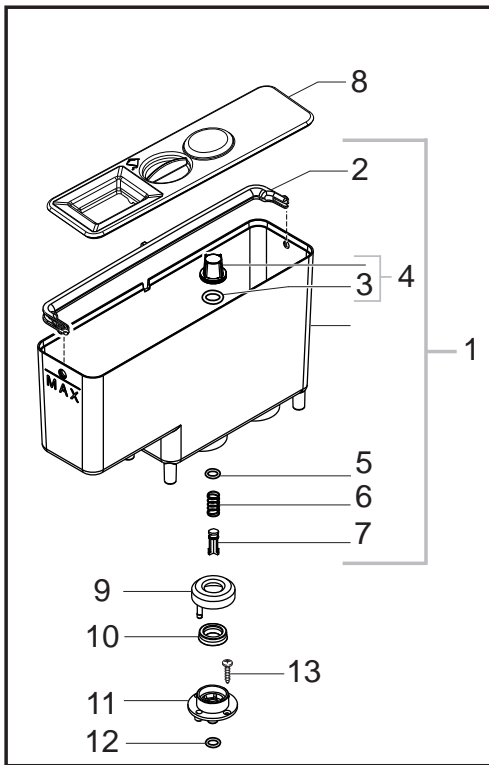
HD8856/01-02-03-04-05-06-08-09-41-43-47



Cod.10003286-87-3521-22-23-24-25-26-78-79

Cod.10003738-39-60-61-3808-78-4089-90

POS	CODE	DESCRIPTION	NOTE	POS	CODE	DESCRIPTION	NOTE
01	11023024	CHROM.COFFEE DISPENSER MDS ASSY. WITH PART. N° 02 - 03 - 04 - 05 - 06 - 07					
02	12000450	SCREW TCBR TORX 10 3,5X12 PLAST.ZN-N					
03	11025081	BLACK REAR COVER COFFEE DISPENSER MDS					
04	11013003	BLACK INNER BODY COFFEE DISPENS.MYB9					
05	11023814	CHROM.COFFEE DISPENSER UPPER INSERT MDS					
06	11023019	BLACK EXT.MOBILE PART COF.DISPENSER MDS					
07	11023812	CHROM.FRONT COVER COFFEE DISPENSER MDS					
08	11023012	CHROM.CREAM ADJUSTMENT KNOB S/SCR.MDS					
09	126772518	SS.SPRING FOR COF.CREAM ADJUSTMENT SHAFT					
10	11013324	BLACK CREAM ADJUSTMENT KNOB RING MYB9					
11	140326661	BLACK OR METRIC 0040-20 IN EPDM					
12	140640200	WHITE COFFEE CREAM ADJUSTMENT SHAFT					
13	11022919	CHROM.COFFEE DISPENSER SUPPORT MDS					
14	12000897	SCREW TCB TORX 10 3,5X20 PLAST.SS					
15	11013072	BLACK SEAL FOR COFFEE DISPENSER MYB9					
16	11013013	BLACK COFFEE DISPENSER TUBE MYB9					
17	12000070	OR METRIC 0060-15 IN SILICONE					
18	149360200	SILICONE TUBE 5X8 70SR IN ROLL					
19	11013364	BLACK DISPENSER COFF.INLET CONNECT.MYB9					
20	11012926	BLACK COFFEE DISPENSER CONNECTOR MYB9					



PHILIPS

Saeco

HD8854/01-02-03-09-14-15-16

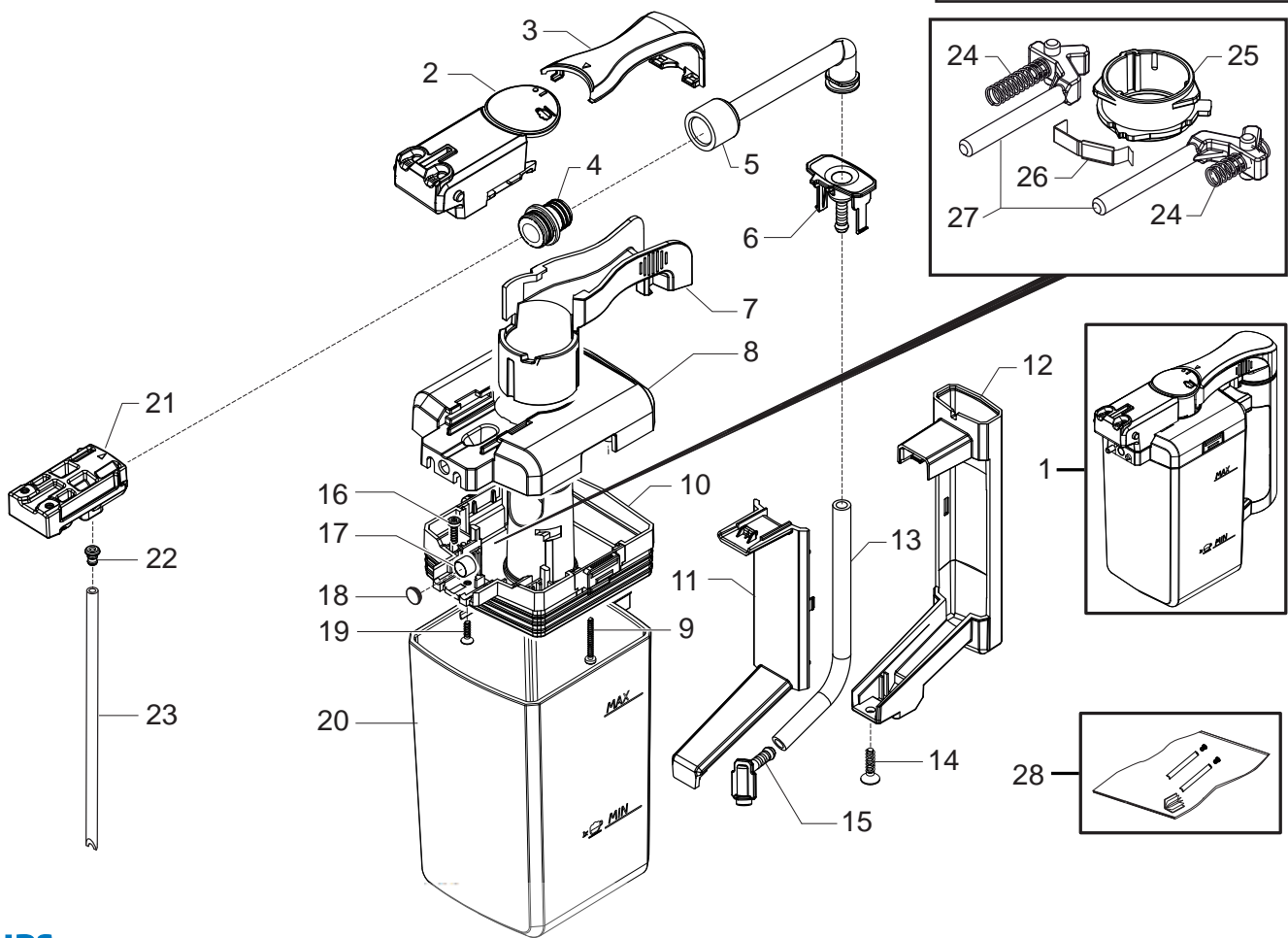
HD8856/01-02-03-04-05-06-08-09-41-43-47



Cod.10003286-87-3521-22-23-24-25-26-78-79

Cod.10003738-39-60-61-3808-78-4089-90

POS	CODE	DESCRIPTION	NOTE	POS	CODE	DESCRIPTION	NOTE
01	11023037	NATURAL/GREY WATER CONTAINER MDS ASSY.					
02	11023155	BLACK HANDLE WATER CONTAINER MDS					
03	140328461	EPDM OR METRIC 0190-10					
04	224640200	EXTERNAL FILTER FOR WATER CONTAINER ASSY					
05	140324362	OR METRIC 0060-30 IN SILICONE					
06	126764718	SPRING FOR WATER CONTAINER VALVE					
07	147660562	GREY WATER VALVE CONTAINER PISTON					
08	11023039	NAT/GREY WATER CONTAINER LID S/SCR.MDS					
09	0701.031.150	SEAL COVER GREY					
10	145842900	WATER CONTAIN.VALVE SEAL GACO DIM14					
11	0701.014.150	SEAL CONTAINER GREY					
12	140320461	OR ORM 0080-20 IN TERMOIL					
13	129535721	SCREW TSP TORX 10 3,5X9,5 SHEET SS					
14	11023044	NAT/GRY BEAN COF.CONT.LID S/SCR.MDS ASSY					
15	149213059	GREY CAP FOR KNOBS BEAN CONTAINER					
16	120350604	SHAFT 6 UNI 7434					
17	11022951	BLACK GRIND.ADJUSTMENT KNOB MDS					
18	11022924	5POLES CONNECTOR MC SENSORS MDS UL					
19	11023025	SS DRIP TRAY GRATE MDS					
20	17000147	BLACK GRATE SEAL V3 MYB9/H-P					
21	11023030	BLACK DRIP TRAY COVER MDS					
22	11023029	SB/SS-BLACK DRIP TRAY MDS ASSY.					
23	17000001	RED FLOAT FOR DRIP TRAY MDS					
24	17000204	BLACK REED SENSOR SUPPORT MDS					



PHILIPS

Saeco

HD8854/01-02-03-09-14-15-16

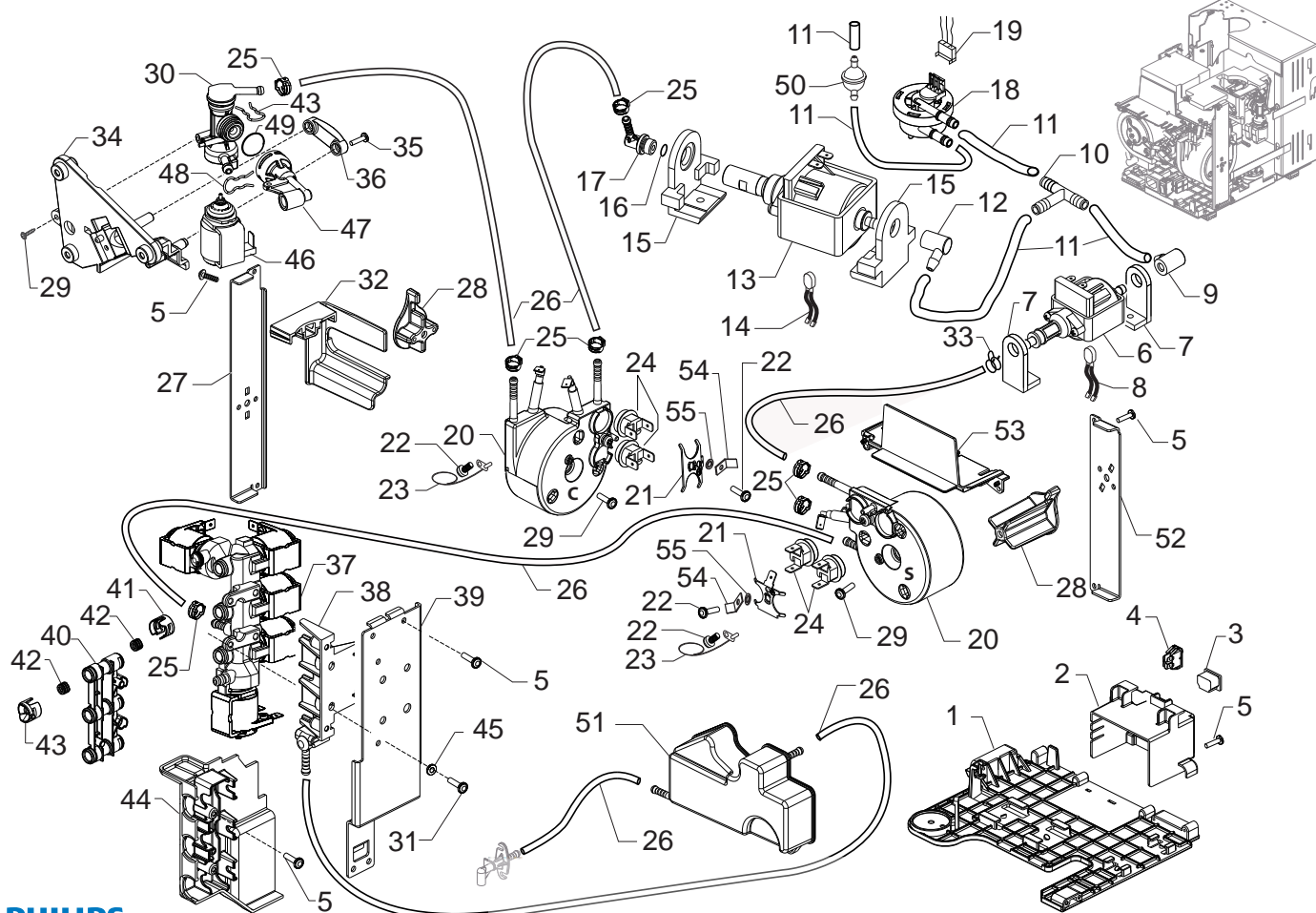
HD8856/01-02-03-04-05-06-08-09-41-43-47



Cod.10003286-87-3521-22-23-24-25-26-78-79

Cod.10003738-39-60-61-3808-78-4089-90

POS	CODE	DESCRIPTION	NOTE	POS	CODE	DESCRIPTION	NOTE
01	11023077	TRANSP/BLK GEN.CARAFE MYB9/MDS PSA ASSY.					
02	11023235	CHR.CARAFE CAPP.COVER V2 S/SC.MYB9 ASSY.					
03	11022498	CHR.UPPER CARAFE SUPPORT V2 S/SCR.MYB9					
04	11012812	VENTURI TUBE FOR CAPPUCINATORE MYB9					
05	11012678	BLACK CARAFE MILK DISPENSER TUBE MYB9					
06	11013163	BLACK UPPER TUBE CARAFE CONNECT.MYB9					
07	11022496	CHROM.LOWER CARAFE SUPPORT V2 MYB9					
08	11012816	BLACK UPPER COVER PART CARAFE MYB9					
09	12000550	SCREW TCB TORX 10 3X25 PLAST.SS					
10	11021893	BLACK LOWER COVER PART CARAFE MYB9 ASSY.					
11	11013466	CHROMED REAR PART HILT CARAFE MYB9					
12	11023158	CHROMED FRONT PART HILT CARAFE V2 MYB9					
13	149360200	SILICONE TUBE 5X8 70SR	IN ROLL				
14	129911721	SCREW TSP TORX 4X16 PLAST STEEL					
15	11013164	BLACK LOWER TUBE CARAFE CONNECT.MYB9					
16	129910921	SCREW TCB TORX 10 3X10 SS					
17	9161.111	MAGNET FOR FLOAT SUPERAUTOM.					
18	11014016	SS.INSERT FOR MAGNET MYB9					
19	12000895	SCREW TSP TORX 10 3X10 PLAST.SS					
20	11024104	TRANSP.CARAFE V3 S/SCREEN MYB9					
21	17000004	BLK CARAFE CAPPUCIN.CASING W/CAPS MYB9					
22	11026779	WHITE MILK TUBE CONNECTOR V2 MYB9					
23	11012814	SILICONE TUBE 3,5X6 L=140 MM					
24	11013765	STEEL SPRING FOR CARAFE LEVER MYB9					
25	11022522	BLACK CAM FOR CARAFE LEVERS V2 MYB9					
26	11013832	CARAFE SPRING WITH INSERT MYB9 ASSY.					
27	17000131	BLACK LEVER FOR CARAFE CAM V3 MYB9					
28	11028534	PSA MILK ACCESSORY PACK ASSY.					



PHILIPS

Saeco

HD8854/01-02-03-09-14-15-16

HD8856/01-02-03-04-05-06-08-09-41-43-47

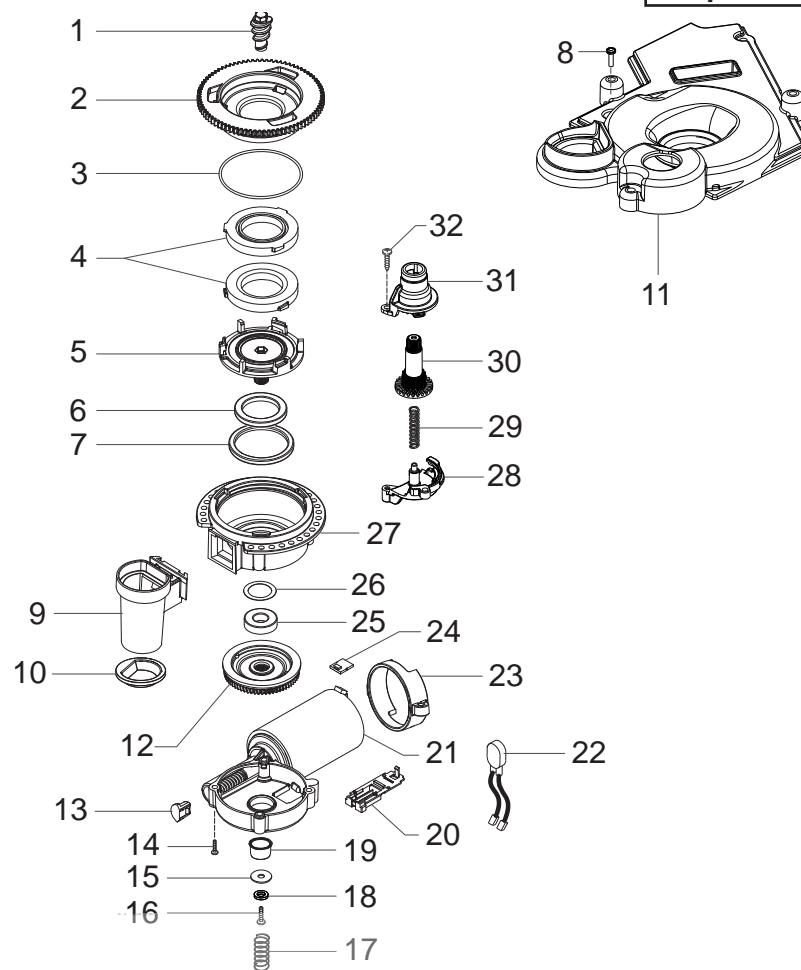


Cod.10003286-87-3521-22-23-24-25-26-78-79

Cod.10003738-39-60-61-3808-78-4089-90

POS	CODE	DESCRIPTION	NOTE
01	11023066	BLACK COMPONENTS SUPPORT MDS	
02	11023074	BLACK SOCKET-SWITCH SUPPORT MDS	
03	12000280	CUP SOCKET EN 60320 C 13	
04	NE03.038	BIPOLAR SWITCH FUSIT C1250AR	
05	12000450	SCREW TCBR TORX 10 3,5X12 PLAST.ZN-N	
06	12001212	ULKA PUMP MF	230V-50HZ
	12001348	ULKA PUMP MF	220V-50/60HZ
	12001346	ULKA PUMP MF	120V-60HZ
07	11012194	BLACK ULKA MF PUMP SUPPORT	
08	11022888	2 POLES CONNECTOR STEAM PUMP MDS UL	
09	11012193	90° INLET CONNECTOR FOR PUMP ULKA MF	
10	147920300	TEE CONNECTOR D=8 ART.80.26.047 KA.461	
11	JS01.022	SILICONE TUBE 5X10 60 SHORE	IN ROLL
12	147920150	90° INLET CONNECTOR PUMP	
13	12000140	ULKA PUMP EP5/S GW	230V-50HZ
	12000182	ULKA PUMP EP5/S GW	220V-60HZ
	12000142	ULKA PUMP EAP5/S	120V-60HZ
14	11022885	2 POLES CONNECTOR COFFEE PUMP MDS UL	
15	11022857	BLACK PUMP SUPPORT GMYB	
16	140321961	OR 2031 IN TERMOIL	
17	11001054	90°CONNECTOR PUMP OUTLET P0049/B	
18	NV99.099	TURBINE D=1,2 932-8521/00 ASSY.	
19	11022925	6POLES CONNECTOR FLOWMETER MDS UL	
20	11013735	SLIM TUB.BOILER ASSY.	230V-1300W
	11023153	AS.CALD.TUB.SLIM 1300W	120V
21	11001751	THERMOSTATES SPRING FOR BOILER	
22	129573402	SCREW TAPT M4X10 DIN 7985 GALV	
23	190800100	TEMPERATURE SENSOR NTC UL L=280MM	
24	12001033	THERMOSTAT ONE SHOT 190°	
25	12000892	OETIKER CLAMP D=9,5 16700004	
26	16000380	5X8,9 SILICONE TUBE	IN ROLL
27	11023069	STEEL COFFEE TUBOL.BOILER SUPPORT MDS	
28	11023282	BLACK BOILERS SUPPORT V2 MYB9	
29	12001369	SCREW TSP TORX 5X30 PLAST.ZN-B	
30	20006558	BLOWDOWN VALVE CASING MYB9 ASSY.	
31	129914302	SCREW TORX M4X10 TESTA D=8X1,5 GALV	
32	11023071	BLK COFFEE BOILER INSULATING COVER MDS	
33	184320200	SPRING HOSE CLAMP D=9,5MM	
34	11012206	BLACK BLOWDOWN VALVE SUPPORT MYB9	

POS	CODE	DESCRIPTION	NOTE
35	129913902	SCREW TCB TORX 10 3X12 PLAST.ZN-B	
36	11013711	BLACK VALVE FIXING FLANGE MYB9	
37	11023049	DIFFUSER VALVE MDS ASSY.	
38	11023052	BLACK DIFFUSER VALVE SUPPORT MDS	
39	11023914	BLACK STEEL DIFFUSER VALVE SUPPORT MDS	
40	11023053	BLACK DOOR TUBES COUPLING CONNECTOR MDS	
41	11023048	BLACK EV CONNECTOR INSERT MDS	
42	11013789	BLACK EV CONNECTOR SEAL MYB9	
43	11013788	BLACK EV CONNECTOR INSERT MYB9	
44	11023054	BLACK DOOR TUBES COUPLING PROTECTION MDS	
45	11021842	SOLENOID VALVE CONNECT.INSUL.WASHER MYB9	
46	20000590	BLOWDOWN VALVE COIL P0049 ASSY.	230V
	20000920	BLOWDOWN VALVE COIL P0049 ASSY.	220V-60HZ
	20000680	AS.GEN.BOB.VALV.SCARICO P0049	120V
47	11007565	BLOWDOWN VALVE CONNECTOR V2 P0049	
48	11005096	FORK SPRING FOR VALVE P0049	
49	12000620	OR ORM 0130-20 IN EPDM	
50	12001595	TRANSP/WHITE ASPIRATION FILTER MDS	
51	17000408	BLACK STEAM BLOWDOWN CONDENSER MDS ASSY.	
52	11023070	STEEL STEAM TUBOL.BOILER SUPPORT MDS	
53	17000226	BLACK COVER CASING FRONT INSERT MDS	
54	124390520	BRASS BENT FASTON 45° 6,3X0,8	
55	128310402	GALV.WASHER UNI 8842 A4	
	11006995	V2 BLOWDOWN VALVE MYB9 ASSY.	230V
	11021989	BLOWDOWN VALVE V2 MYB9 ASSY.	220V-60HZ
	11022038	BLOWDOWN VALVE V2 MYB9 ASSY WITH PART. N°30-46-47-48-49	120V
	11026313	SLIM TUB.BOIL.STD C2 T190° ASSY.	230V-1300W
	11026314	SLIM TUB.BOIL.STD C2 T190° AS WITH PART. N°20-21-22-23-24	120V-1300W



PHILIPS

Saeco

HD8854/01-02-03-09-14-15-16

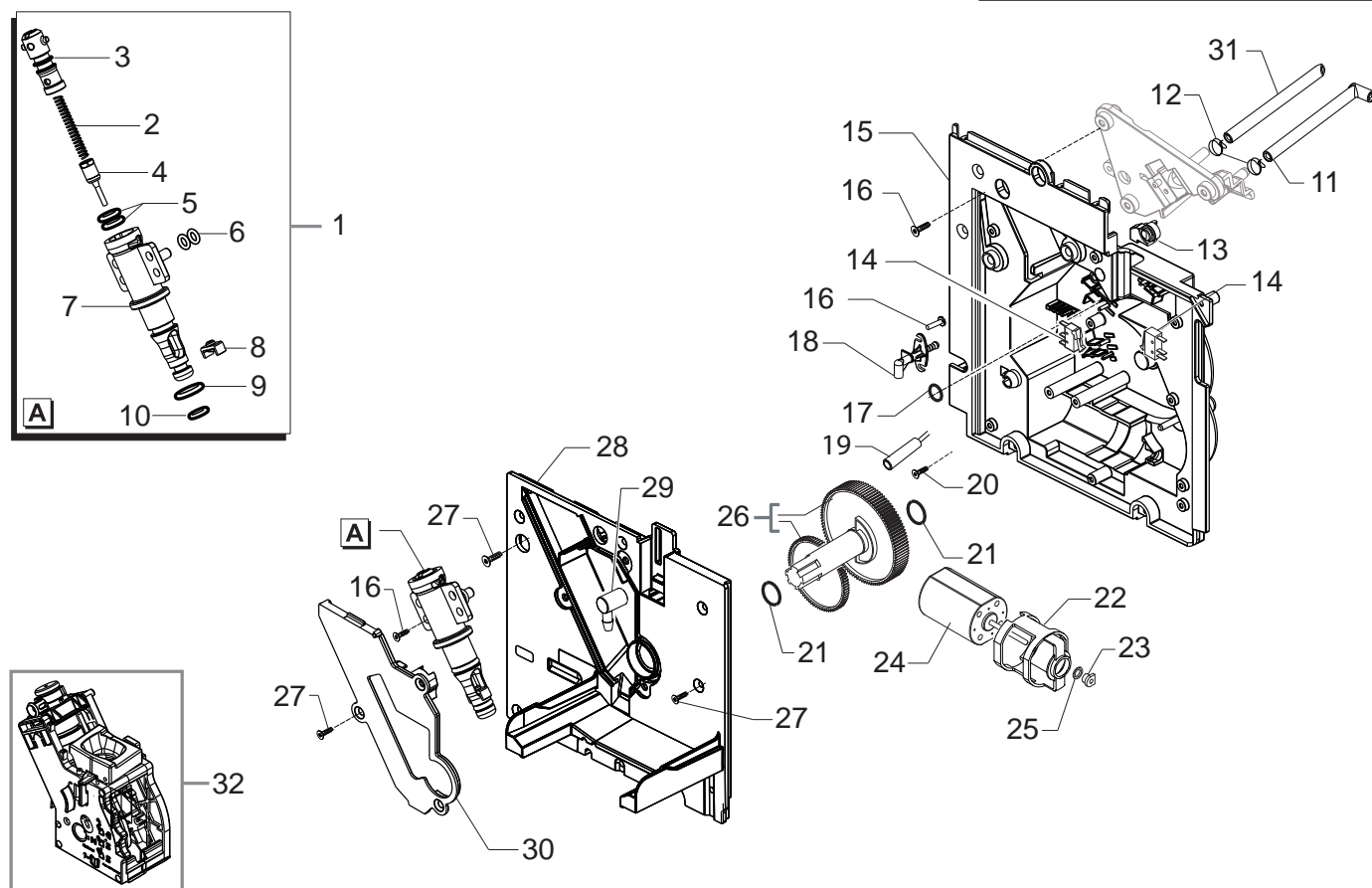
HD8856/01-02-03-04-05-06-08-09-41-43-47



Cod.10003286-87-3521-22-23-24-25-26-78-79

Cod.10003738-39-60-61-3808-78-4089-90

POS	CODE	DESCRIPTION	NOTE	POS	CODE	DESCRIPTION	NOTE
01	11011205	TEA ZAMA INCREASE SCREW GRINDER					
02	149198250	UPPER GRINDER SUPPORT COFFEEGRINDER					
03	140328960	NBR FDA OR METRIC 0530-15					
04	146520100	BAKED CLAY GRINDER 48X28					
05	149198350	LOWER GRINDER SUPPORT COFFEEGRINDER					
06	123030300	AXIAL BEARING EKKO 342.35252					
07	140360500	FELT RING 45,4X39,4X4					
08	12000450	SCREW TCB TORX 10 3,5X12 PLAST.ZN-N					
09	11026355	BLK GROUND COFF.OUTLET CONVEYOR V4 ASSY.					
10	145854462	GROUND COFFEE CONT.SEAL LOWER SMART1					
11	11023063	COFFEE GRINDER SOUNDPROOFING COVER MDS					
12	226000300	GEAR SX Z=38 FOR GRINDER MOTION ASSY.					
13	149214800	CAP FOR WORM SCREW MC/V3 CENTRING					
14	129661702	SCREW TCB TORX 3,5X30 PLAST.ZN-B					
15	128381902	GALVAN.FLAT WASH.DI=4,3 DE=14 SP=1,5					
16	129574802	SCREW TCB TORX 20 M4X30 ZN-B					
17	11000597	COFFEE GRINDER SUPPORT SPRING P124					
18	128310402	GALV.WASHER UNI 8842 A4					
19	11002873	INSULATOR BUSH FOR GRINDER MOTOR P124					
20	149199050	SENSOR SUPPORT FOR COFF.GRIND.MOTOR					
21	11000513	MOTOR COFFEEGRINDER/V3.1 ASSY.	230V				
	11000511	MOTOR COFFEEGRINDER V3.1 ASSY.	120V				
22	17800040	2POLES CONNECTOR GRINDER MOTOR MDS UL					
23	11000194	BLACK GRINDER MOTOR SUPPORT P124					
24	181540900	ELECTRONIC BOARD WITH SENSOR HAL506					
25	123030200	RADIAL BEARING 61900.2RS1					
26	128381800	CRINKLE WASHER 21,8X15,8X0,2					
27	142905450	UPPER BODY WITH COFFE.GROUND OUTLET					
28	11002613	LOWER COFFEEGRINDER GEAR SUPPORT P124					
29	11002572	COFFEEGRINDER REGULATION SPRING P124					
30	11003784	COFFEE GRINDING ADJUSTMENT GEAR P0049					
31	11002508	UPPER COFFEEGRINDER GEAR SUPPORT P124					
32	129914002	SCREW TCB TORX 10 3,5X16 PLAST.ZN-B					
	11023062	GENERAL MOTOR MC MDS ASSY.	230V				
	11025469	GEN.MOTOR COFFEE GRINDER MDS ASSY.	120V				



PHILIPS

Saeco

HD8854/01-02-03-09-14-15-16

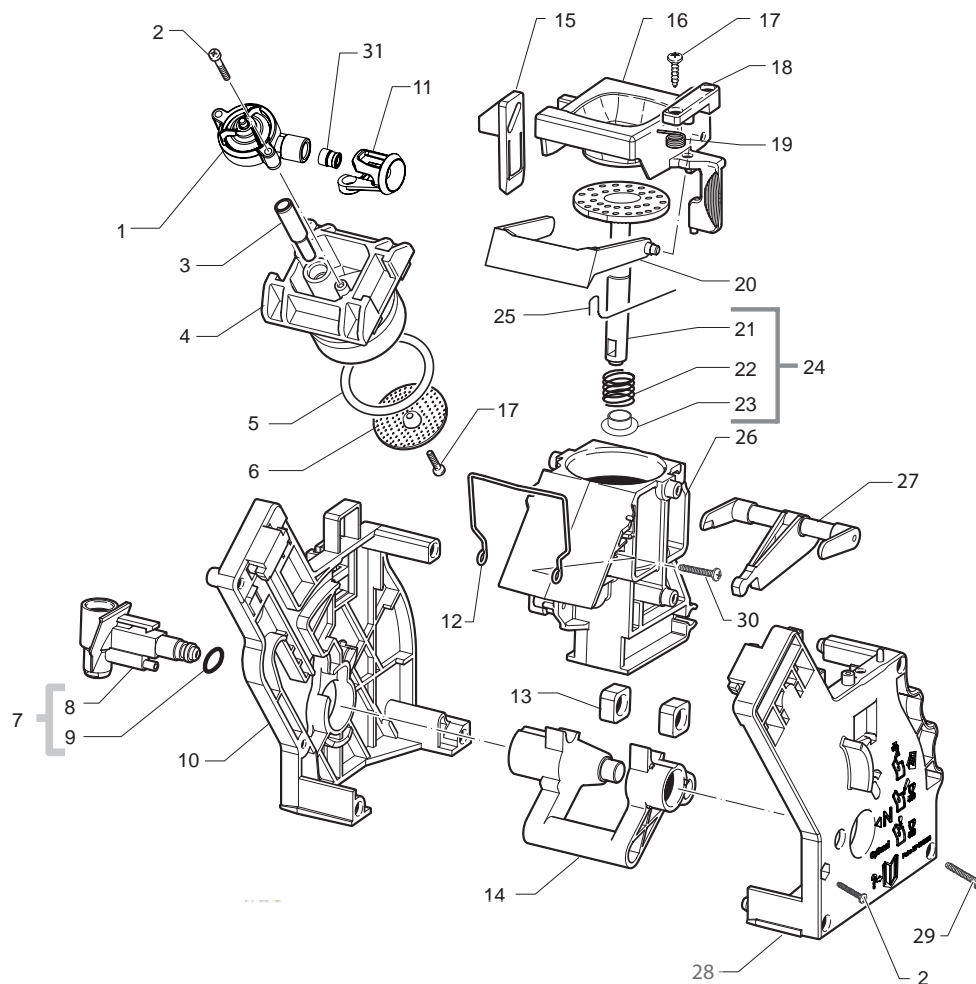
HD8856/01-02-03-04-05-06-08-09-41-43-47



Cod.10003286-87-3521-22-23-24-25-26-78-79

Cod.10003738-39-60-61-3808-78-4089-90

POS	CODE	DESCRIPTION	NOTE	POS	CODE	DESCRIPTION	NOTE
01	11005060	PIN V2 FOR BOILER P119 ASSY.					
02	9011.132	SPRING FOR PIN					
03	11003820	CAP V2 FOR PIN BOILER P119					
04	11009019	TEA/BRASS PISTON L=20,9 ASSY.					
05	140324459	OR ORM 0060-20 IN SILICONE PTFE/FDA					
06	140328059	OR 2015 IN SILICONE PTFE/FDA					
07	11003801	NATURAL PIN V2 FOR BOILER P119					
08	11005099	NATURAL CURSOR V2 FOR BOILER P119					
09	NM01.035	OR ORM 0090-20 SILICONE					
10	NM01.057	OR ORM 0050-20 IN SILICONE					
11	11012337	WATER DRAIN CONNECTOR MYB9					
12	NV99.087	BAND D=11/11,6					
13	11013514	BLACK COVER MOUNTING PLATE SEAL MYB9					
14	NE05.038	MICROSWITCH					
15	11023064	BLACK MOUNTING PLATE WITH PIN MDS ASSY.					
16	12000450	SCREW TCB TORX 10 3,5X12 PLAST.ZN-N					
17	140325462	OR METRIC 0070-20 IN SILICONE					
18	11023055	BLACK STEAM BLOWDOWN 90° CONNECTOR MDS					
19	11003661	REED SENSOR MK3-1A66-BV16451					
20	129913902	SCREW TCB TORX 10 3X12 PLAST.ZN-B					
21	9161.132	MYLAR WASHER FOR RATIOMOTOR					
22	9121.044	ANTIVIBRATION FOR MOTOR					
23	9121.046	SINTERED BUSH FOR MOTOR					
24	11003037	MOTOR FOR RATIOMOTOR ASSY.					
25	148380200	WASHER BAKELIZZATE D=5,5					
26	20000900	SPARES KIT GEARS FOR RATIOMOTOR V2					
27	129914102	SCREW TSP TORX 10 3,5X12 PLAST.ZN-B					
28	17000049	BLACK COVER MOUNTING PLATE MDS					
29	147920150	90° INLET CONNECTOR PUMP					
30	142856550	BLACK COVER FOR VAIN BOILER P119					
31	JS01.022	SILICONE TUBE 5X10 60 SHORE	IN ROLL				
32	11012810	BLACK BREW UNIT 8GR.SBS MYB9					
		SEE COD. ESPL. E90071 NEXT PAGE					



SUP038



Cod. 11012810

POS	CODICE	DESCRIZIONE	NOTE
01	11010660	AS.VALVOLA SAECO BREWING SYSTEM STD	
02	12000550	VITE TCB 3X25 PLAST.INOX	
03	11009276	TUBO X CONTROPIST.GRUPPO S0053 NERO	
04	11001840	CONTROPISTONE GRUPPO P124 8GR. NERO	
05	NM01.044	OR ORM 0320-40 IN SILICONE PTFE/FDA	
06	9161.268	DOCCIA DE=35,8 ELFO	
07	20000440	GRUPPO RICAMBIO MANICOTTO NERO	
08	9161.064.050	MANICOTTO ENTRATAACQUA GRUP.CAFFE.NERO	
09	NM02.007	OR 2025 TERMOIL	
10	9161.375.050	PIASTRA POSTERIORE GRUPPO SMART NERO	
11	145899250	INSERTO CENTRAGGIO RAC.USCITA CAF.P124	
12	11001556	MOLLA RASATORE H=49 X GRUPPO CAF.SMART	
13	9161.094.050	BLOCCETTO FORATO GRUP.CAFFE' PA/NERO	
14	9161.066.050	ALBERO A GOMITO X GRUPPO NERO	
15	9161.373.050	PIASTRINA AGGANCIO GRUP.CAF.SMART NERO	
16	149261350	TRAMOGGIA GRUPPO CAFFE' SMART1 NERO	
17	12000895	VITE TSP 3X10 PLAST.INOX	
18	9161.374.050	PIASTRA FISS.TRAMOGG.GRUP.CAF.SMART NERO	
19	9161.378	MOLLA TRAMOGGIA GRUPPO CAFFE' SMART	
20	11004161	RASATORE X GRUPPO CAFFE' NERO	
21	11003077	AS.PISTONE INTEGRALE GRUP.P124 8GR.NERO	
22	9161.198	MOLLA PISTONE GRUPPO CAFFE' M5000	
23	9161.191	BOCCOLA PISTONE GRUP.CAFF.M5000 NEUTRO	
24	11023086	AS.GEN.PISTONE INTEGR.GRUP.CAF.8GR.NER.	
25	9161.046	MOLLA X RASATORE GRUPPO	
26	11003075	AS.CONT.CAF.C/BOCC.SALD.GRUP.P124 8G.NER	
27	11003078	BIELLA X GRUPPO P124 8GR.NERO	
28	11005920	PIASTRA ANT.GRUPPO SMART S/F.NER.SER.NEW	
29	12000897	VITE TCB 3,5X20 PLAST.INOX	
30	129912521	VITE TCBR 3,5X14 PLAST.INOX	
31	145857962	GUARNIZ.INSERTO RACC.USCITA CAF.P124 NER	
	11012810	GRUPPO CAFFE' 8GR/SBS MYB9 NER.	

POS	CODE	DESCRIPTION	NOTA
01	11010660	SAECO BREWING SYSTEM VALVE STD ASSY.	
02	12000550	SCREW TCB TORX 10 3X25 PLAST.SS	
03	11009276	TUBE FOR COUNTER PISTON BREW UNIT S0053	
04	11001840	BLACK COUNTER PISTON BREW UNIT 8GR.P124	
05	NM01.044	OR ORM 0320-40 IN SILICONE PTFE/FDA	
06	9161.268	PERCOLATOR DE=35,8 ELFO	
07	20000440	BLACK SPARE SLEEVE UNIT	
08	9161.064.050	BLACK WATER INLET SLEEVE BREW UNIT	
09	NM02.007	OR 2025 TERMOIL	
10	9161.375.050	BLACK REAR PLATE FOR BREW UNIT SMART	
11	145899250	CONNECTION COFFEE FOR P124 GROUP	
12	11001556	SPRING H=49 FOR COFFEE BREW UNIT SMART	
13	9161.094.050	BLACK DRILLED BLOCK BREW UNIT	
14	9161.066.050	ELBOW SHAFT FOR UNIT BLACK	
15	9161.373.050	BLACK COUPLING PLATE BREW UNIT SMART	
16	149261350	BLACK HOPPER DOSER BREW UNIT SMART1	
17	12000895	SCREW TSP TORX 10 3X10 PLAST.SS	
18	9161.374.050	BLACK HOPPER BLOCKING PLATE UNIT SMART	
19	9161.378	SPRING HOPPER SMART BREW UNIT	
20	11004161	BLACK SCRAPER FOR COFFEE UNIT	
21	11003077	BLACK INTEGRAL PISTON UNIT P124 8GR.ASS	
22	9161.198	PISTON SPRING BREW UNIT M5000	
23	9161.191	NEUTRAL PISTON BUSH BREW UNIT M5000	
24	11023806	BLK 8GR.BREW UNIT NTEGR.PISTON GEN.ASSY.	
25	9161.046	SPRING FOR UNIT SCRAPER	
26	11003075	BLACK COFFEE CONTAINER BREW UNIT P124	
27	11003078	BLACK CONNECTING ROD FOR UNIT P124 8GR.	
28	11005920	BLACK FRONT PLATE BREW UNIT SMART S.SCR.	
29	12000897	SCREW TCB TORX 10 3,5X20 PLAST.SS	
30	129912521	SCREW TCBR TORX 10 3,5X14 PLAST.SS	
31	145857962	BLACK INSERT SEAL P124	
	11012810	BLACK BREW UNIT 8GR.V2 P124/SBS	



GRUPPO CAFFE' XELSIS

Rev. 00 - 22/09/09

TAVOLA 1/1